



MADE IN ITALY



For 50 years we have been passionately dedicating ourselves to producing planetary gears and wheel gears made entirely in Italy. Reggiana Riduttori is a member of Interpump Group.

SLEWING SERIES



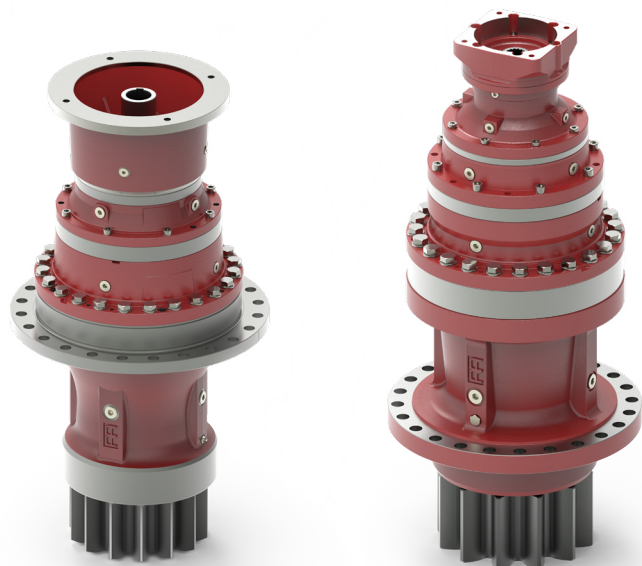
SL

SLEWING SERIES

OUR DRIVES FOR SLEWING

This wide range of Reggiana Riduttori slewing drive series is suitable for the most severe duties in every environment.

Durability, reliability and strenght are the leading values that drive RR team while designing and manufacturing units for deck / offshore cranes, truck mounted cranes, forestry machines, drilling machines and also wind turbine or special industrial equipment.



BRAKE OPTIONS

- Hydraulically released parking brake on request

APPLICABLE MOTORS

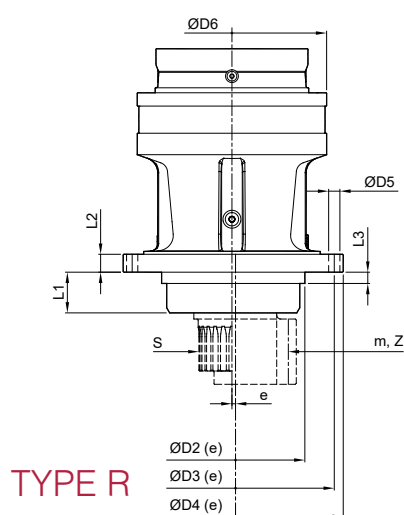
- Hydraulic piston motors
- Hydraulic orbital motors
- Electric motors IEC
- Electric motors NEMA

KEY OPTIONS

- Flange mounted
- Output shaft: splined or with integral pinion
- Strong construction
- Output shafts supported by heavy duty capacity bearings
- Pinion side bearing lubricated by longlife grease
- Flexible input configuration (bevel gear, brakes)
- ATEX, DNV TA certified. Available certification from all the main certification bodies.
- Output seal in all sizes
- Optimized backlash

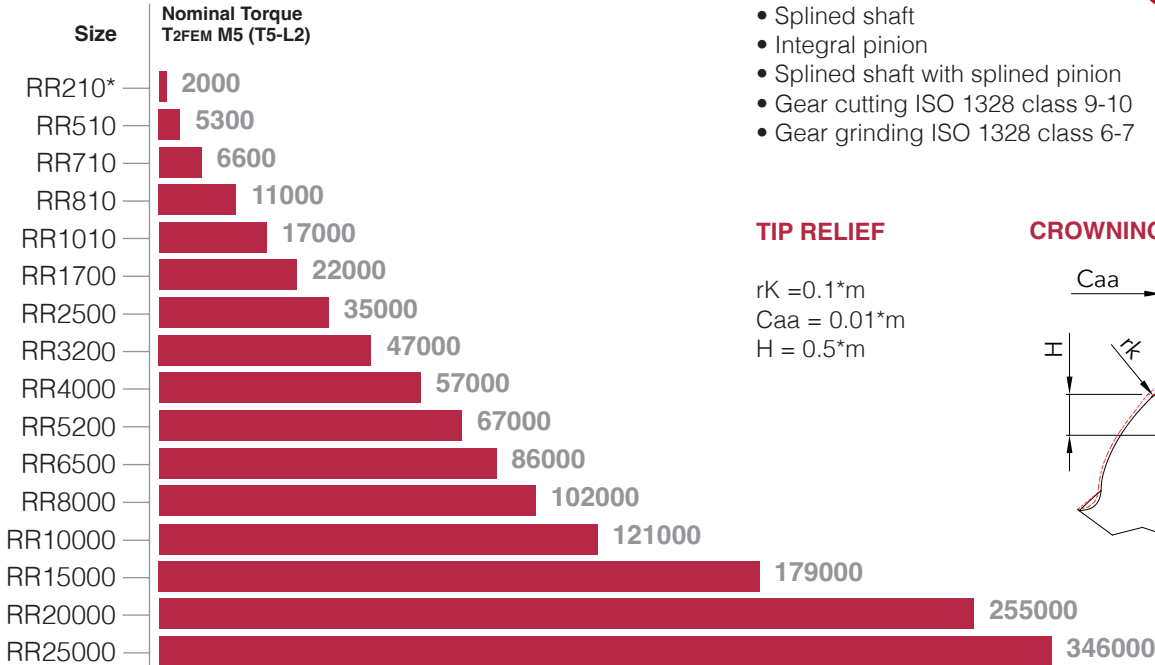
CONSTRUCTION FEATURES

- High transmissible torque
- High radial/thrust load capacity
- Wide range of modular gearboxes
- Wide range of reduction ratios (from 11 up to 2495)





TECHNICAL DATA



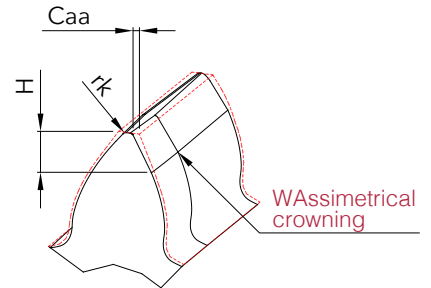
OUTPUT OPTIONS

- Splined shaft
- Integral pinion
- Splined shaft with splined pinion
- Gear cutting ISO 1328 class 9-10
- Gear grinding ISO 1328 class 6-7

TIP RELIEF

rK = 0.1*m
Caa = 0.01*m
H = 0.5*m

CROWNING



* Available on request

SIZE - TYPE	D1	D2	D3	D4	D5	D6	e	L1	L2	L3	L4	L5	S	AVAILABLE m, Z
RR510 Z	160 f7	180 f7	265	290	Ø13 n°12	245	1	120	20	15	35	20	DIN5482 B70x64 e9	8 ÷ 10
RR510 R	-	175 f7	245	272	Ø17.5 n°10	245	1	35	20	12	-	-	DIN5482 B70x64 e9	8 ÷ 10
RAR710 Z	160 f7	180 f7	265	290	Ø13 n°12	245	1	120	20	15	35	20	DIN5482 B70x64 e9	8 ÷ 10
RR710 R	-	175 f7	245	272	Ø17.5 n°10	245	1	35	20	12	-	-	DIN5482 B70x64 e9	8 ÷ 10
RR810 Z	200 f7	250 f7	325	360	Ø17.5 n°10	297	1	225	25	15	50	20	DIN5482 B80x74 e9	10 ÷ 12
RR810 R	-	220 f7	250	280	Ø17.5 n°12	297	1	30	25	12	-	-	DIN5482 B80x74 e9	10 ÷ 12
RR1010 Z	200 f7	250 f7	350	380	Ø17.5 n°12	320	1	225	25	15	50	20	DIN5482 B80x74 e9	10 ÷ 14
RR1010 R	-	230 f7	295	325	Ø17.5 n°20	320	1	35	24	10	-	-	DIN5482 B80x74 e9	10 ÷ 14
RR1700 Z	250 f7	280 f7	380	420	Ø17.5 n°24	340	1	285	20	15	80	-	DIN5480 W120x3x30x38 8f	10 ÷ 16
RR1700 R	-	255 f7	314	375	Ø22 n°16	340	1.5	80	30	25	-	-	DIN5480 W120x3x30x38 8f	10 ÷ 16
RR2500 Z	300 f7	425 f7	460	500	Ø22 n°24	368	2.5	325	25	13	70	-	DIN5480 W130x5x30x24 8f	14 ÷ 18
RR2500 R	-	280 f7	395	429	Ø22 n°24	368	2.5	80	35	80	-	-	DIN5480 W130x5x30x24 8f	14 ÷ 18
RR3200 Z	300 f7	425 f7	460	500	Ø22 n°24	403	2.5	325	25	13	70	-	DIN5480 W130x5x30x24 8f	14 ÷ 18
RR3200 R	-	280 f7	395	429	Ø22 n°24	403	2.5	80	35	80	-	-	DIN5480 W130x5x30x24 8f	14 ÷ 18
RR4000 Z	340 f7	400 f7	510	555	Ø22 n°24	455	2.5	420	25	15	70	20	DIN5480 W170x5x30x32 8f	16 ÷ 20
RR4000 R	-	365 f7	400	437	Ø22 n°24	455	1.5	95	48	25	-	-	DIN5480 W150x5x30x32 8f	16 ÷ 20
RR5200 Z	340 f7	400 f7	510	555	Ø22 n°24	455	2.5	420	25	15	70	20	DIN5480 W170x5x30x32 8f	16 ÷ 20
RR5200 R	-	410 f7	450	490	Ø22 n°24	455	2.5	110	40	20	-	-	DIN5480 W170x5x30x32 8f	16 ÷ 20
RR6500 Z	370 f7	540 f7	580	620	Ø22 n°28	510	2.5	517	30	15	90	34	DIN5480 W170x5x30x32 8f	18 ÷ 22
RR6500 R	-	420 f7	490	530	Ø22 n°24	510	2.5	140	40	25	-	-	DIN5480 W170x5x30x32 8f	18 ÷ 22
RR8000 Z	420 f7	600 f7	650	700	Ø26 n°28	565	2.5	577	30	20	100	32	DIN5480 W200x5x30x38 8f	20 ÷ 24
RR8000 R	-	460 f7	510	565	Ø26 n°24	565	2.5	173	40	25	-	-	DIN5480 W200x5x30x38 8f	20 ÷ 24
RR10000 Z	420 f7	600 f7	650	700	Ø26 n°28	565	2.5	577	30	20	100	32	DIN5480 W200x5x30x38 8f	20 ÷ 24
RR10000 R	-	460 f7	510	565	Ø26 n°24	565	2.5	173	40	25	-	-	DIN5480 W200x5x30x38 8f	20 ÷ 24
RR15000 Z	480 f7	660 f7	725	775	Ø26 n°32	640	5	605	35	20	150	40	DIN5480 W220x5x30x42 8f	22 ÷ 26
RR15000 R	-	550 f7	600	650	Ø26 n°32	640	5	145	45	25	-	-	DIN5480 W220x5x30x42 8f	22 ÷ 26
RR20000 Z	500 f7	740 f7	800	865	Ø30 n°32	720	5	710	40	20	170	40	DIN5480 W240x5x30x46 8f	24 ÷ 30
RR20000 R	-	630 f7	680	745	Ø30 n°32	720	5	150	50	30	-	-	DIN5480 W240x5x30x46 8f	24 ÷ 30
RR25000 Z	520 f7	835 f7	900	970	Ø33 n°36	810	5	840	45	25	175	40	DIN5480 W260x5x30x50 8f	24 ÷ 30
RR25000 R	-	700 f7	770	840	Ø33 n°36	810	5	150	55	35	-	-	DIN5480 W260x5x30x50 8f	24 ÷ 30

NUMBER OF TEETH OF PINION UPON REQUEST

RR



Headquarter

Via Martiri di Marzabotto 7
42020 S.Polo D'Enza (RE)
Reggio Emilia, Italy
REGGIANARIDUTTORI.COM

Ph. +39 0522 259111
Fax +39 0522 874321
info@reggianariduttori.com
PEC: reggianariduttori@legalmail.it



A member of

